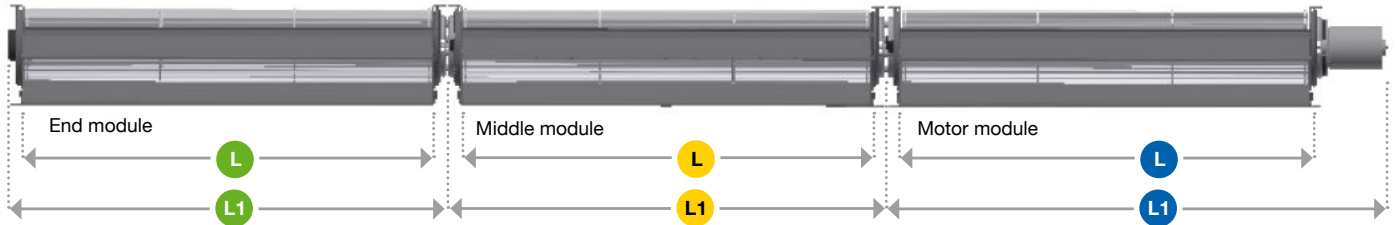


FERGAS MODULAR FAN SYSTEM

Crossflow blower serial connected

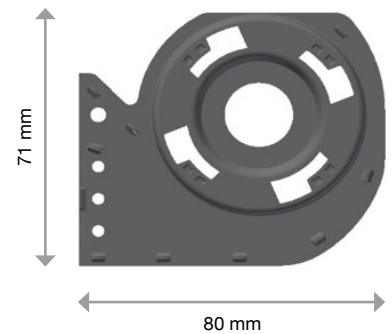
NCB 45



L (mm)	L1 (mm)	L (mm)	L1 (mm)	L (mm)	L1 (mm)
120	144	120	144	120	174
180	204	180	204	180	234
240	264	240	264	240	314
300	324	300	324	300	354
360	384	360	384	360	414

FEATURES

- Modular system, easy to connect and to combine to required length.
- Even distribution of air over the whole length of the blower.
- Easy to protect with motor on one side.
- A variation of motortypes can be supplied, like AC high voltage motors.



TECHNICAL DATA

Example

Length (mm)	Max airflow (m3/h)	Speed (rpm)	Sound (dBA)	Voltage (V)	Power (W)
2 x 240					
3 x 240					
2 x 300					
3 x 360					
2 x 360					

TESTS ARE ONGOING